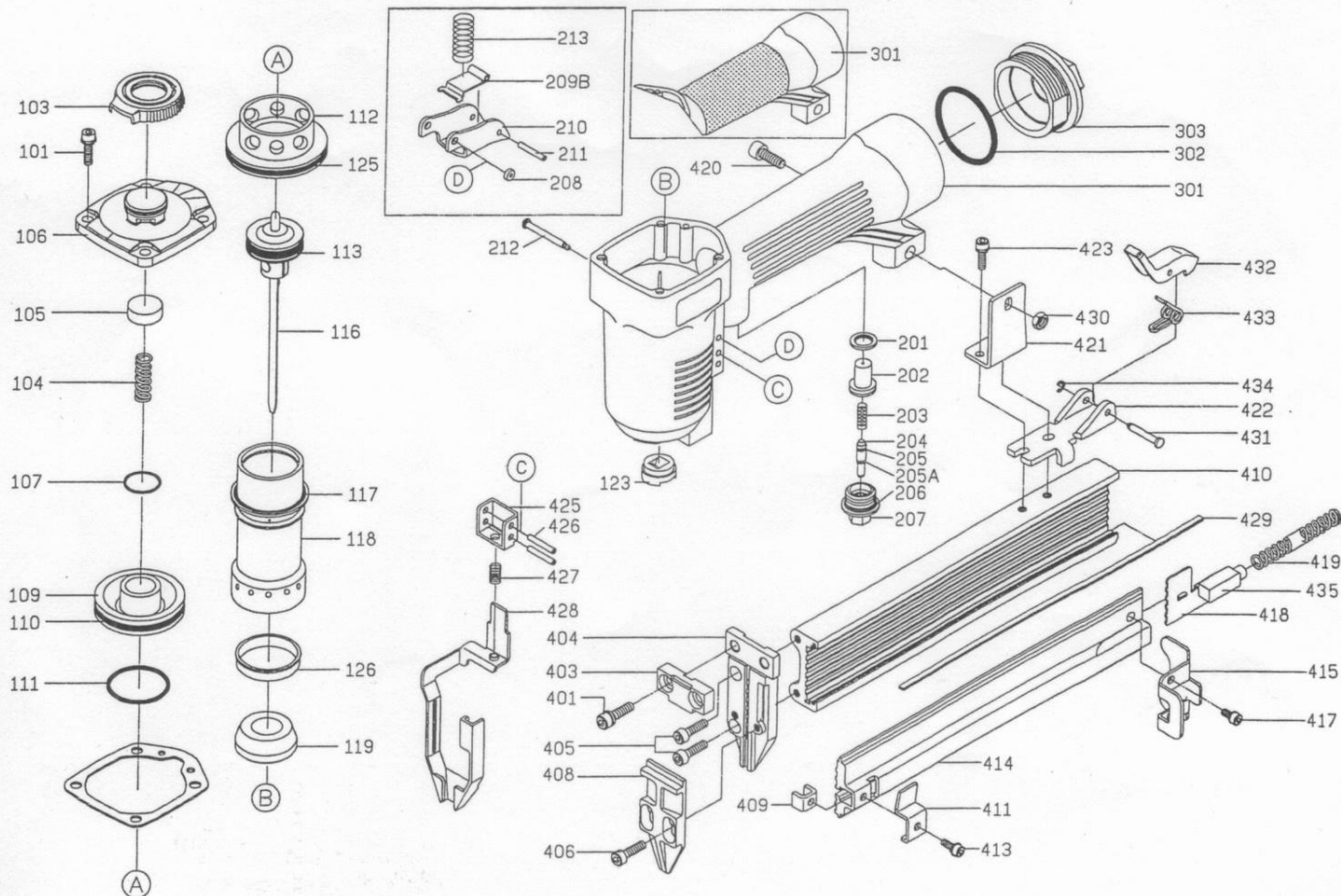


# DIAGRAM OF 18/32-2



ITEM NO.	PART NO.	DESCRIPTION	ITEM NO.	PART NO.	DESCRIPTION	ITEM NO.	PART NO.	DESCRIPTION
101	2040100-03030-0	BOLT ASSY	301	11230-0014201-1	GUN BODY UNIT			
103	11371-0394701-2	DEFLECTOR	302	2041109-04060-0	O - RING			
104	11360-0010001-3	COMPRESSION SPRING	303	11346-0011301-1	END CAP			
105	11370-0010003-1	SEAL	401	2040100-03030-2	BOLT ASSY			
106	11369-0014301-1	CAP	403	11353-0014701-1	DRIVER GUIDE COVER B			
107	2041100-02020-0	O - RING	404	11303-0154702-1	DRIVER GUIDE			
109	11368-0010006-1	HD.VALVE PISTON	405	2040101-02070-0	HEX.SOC.HD.BOLT			
110	2041108-04010-0	O - RING	406	2040101-02040-0	HEX.SOC.HD.BOLT			
111	2041108-03120-0	O - RING	408	11352-0014701-1	DRIVER GUIDE COVER A			
112	11399-0010002-1	COLLAR	409	1133K-0014701-1	STOPPER			
113	2041108-03010-0	O - RING	410	11389-0154702-1	MAGAZINE A			
116	11204-0010019-1	DRIVER UNIT	411	11340-0014702-1	STOPPER			
117	2041104-03010-0	O - RING	413	2040100-02050-0	BOLT ASSY			
118	11320-0010014-1	CYLINDER	414	11391-0154702-1	MAGAZINE B			
119	11327-0010004-1	BUMPER	415	11347-0154701-1	REAR PLATE			
123	11301-0010001-2	JOINT GUIDE	417	2040100-02040-0	BOLT ASSY			
124	1132M-0010001-2	PACKING	418	11363-0014701-1	PUSHER			
125	2041109-05020-0	O - RING	419	11367-0014701-1	PUSHER SPRING			
126	11322-0010001-1	CYLINDER RING	420	2040101-02080-0	HEX.SOC.HD.BOLT			
201	1133R-0010001-1	SEAL	421	11323-0154703-1	BRACKET			
202	11373-0010002-2	TRIGGER VALVE HEAD	422	11341-0154701-1	STOPPER			
203	1133U-0014701-1	SPRING	423	2040100-02060-0	BOLT ASSY			
204	11375-0014702-1	TRIGGER VALVE STEM	425	11338-0014701-1	SAFETY GUIDE			
205	2041102-01030-0	O - RING	426	2040400-05130-0	SPRING PIN			
205A	2041102-01031-0	O - RING	427	11337-0394701-1	SAFETY SPRING			
206	2041105-02010-0	O - RING	428	11330-0014702-1	SAFETY			
207	11374-0014702-1	TRIGGER VALVE GUIDE	429	11377-0014701-1	FLAT BAR			
208	1131D-0460001-1	URETHANE RETAINER	430	2040500-02010-0	LOCK NUT			
209B	11317-0684701-1	SECONDARY TRIGGER	431	11344-0154701-1	LATCH PIN			
210	11316-0681101-2	TRIGGER	432	11343-0154701-1	LATCH			
211	2040400-04080-0	SPRING PIN	433	11315-0154701-1	SPRING			
212	11318-0464701-1	TRIGGER PIVOT PIN	434	2040302-22010-0	E - RING			
213	11376-0010001-1	SPRING	435	11378-0010001-1	SHAFT			