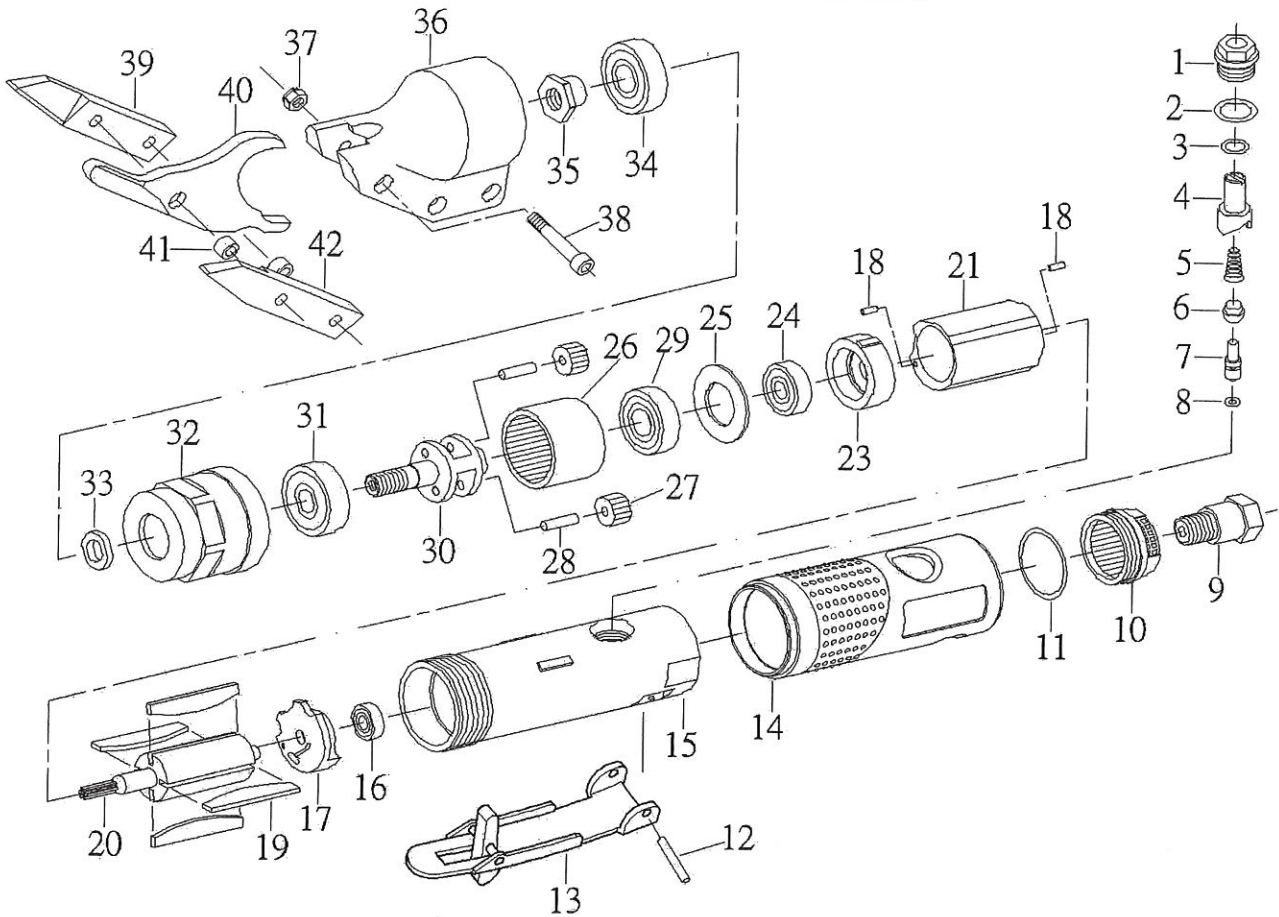


PARTS LIST FOR MS-A1



ITEM NO.	PART NO.	DESCRIPTION	ITEM NO.	PART NO.	DESCRIPTION
01	351-0184	SCREW	23	351-0247	FRONT PLATE
02	351-0185	O-RING(P12)	24	351-0248	BEARING(608ZZ)
03	351-0186	O-RING(P8)	25	351-0249	WASHER
04	351-0187	AIR REGULATOR	26	351-0250	THREAD RING GEAR(42T)
05	351-0188	SPRING	27	351-0251	IDLER GEAR(18T)
06	351-0189	VALVE STEM BUSHING	28	351-0252	IDLER GEAR PIN
07	351-0190	VALVE STEM	29	351-0253	BEARING(6001ZZ)
08	351-0191	O-RING(3.5*1.4)	30	351-0254	GEAR PLATE
09	351-0192	AIR INLET	31	351-0255	BEARING(6200ZZ)
10	351-0612	EXHAUST SLEEVE	32	351-0256	CLAMP NUT
11	351-0194	O-RING(26.7*1.78)	33	351-0257	WASHER
12	351-0195	SPRING PIN(3*24)	34	351-0258	BEARING
13	351-0196	LEVER	35	351-0259	EXCENTRIC NUT
14	351-0197	PROTECTING RUBBER	36	351-0260	CUTTER HOUSING
15	351-0198	HOUSING	37	351-0261	NUT
16	351-0199	BEARING(696ZZ)	38	351-0262	LOCK SCREW
17	351-0200	REAR PLATE	39	351-0263	RIGHT BLADE
18	351-0201	PIN	40	351-0264	CNETER BLADE
19	351-0202	ROTOR BLADE	41	351-0265	SPACE
20	351-0246	ROTOR (6T)	42	351-0266	LEFT BLADE
21	351-0204	CYLINDER			