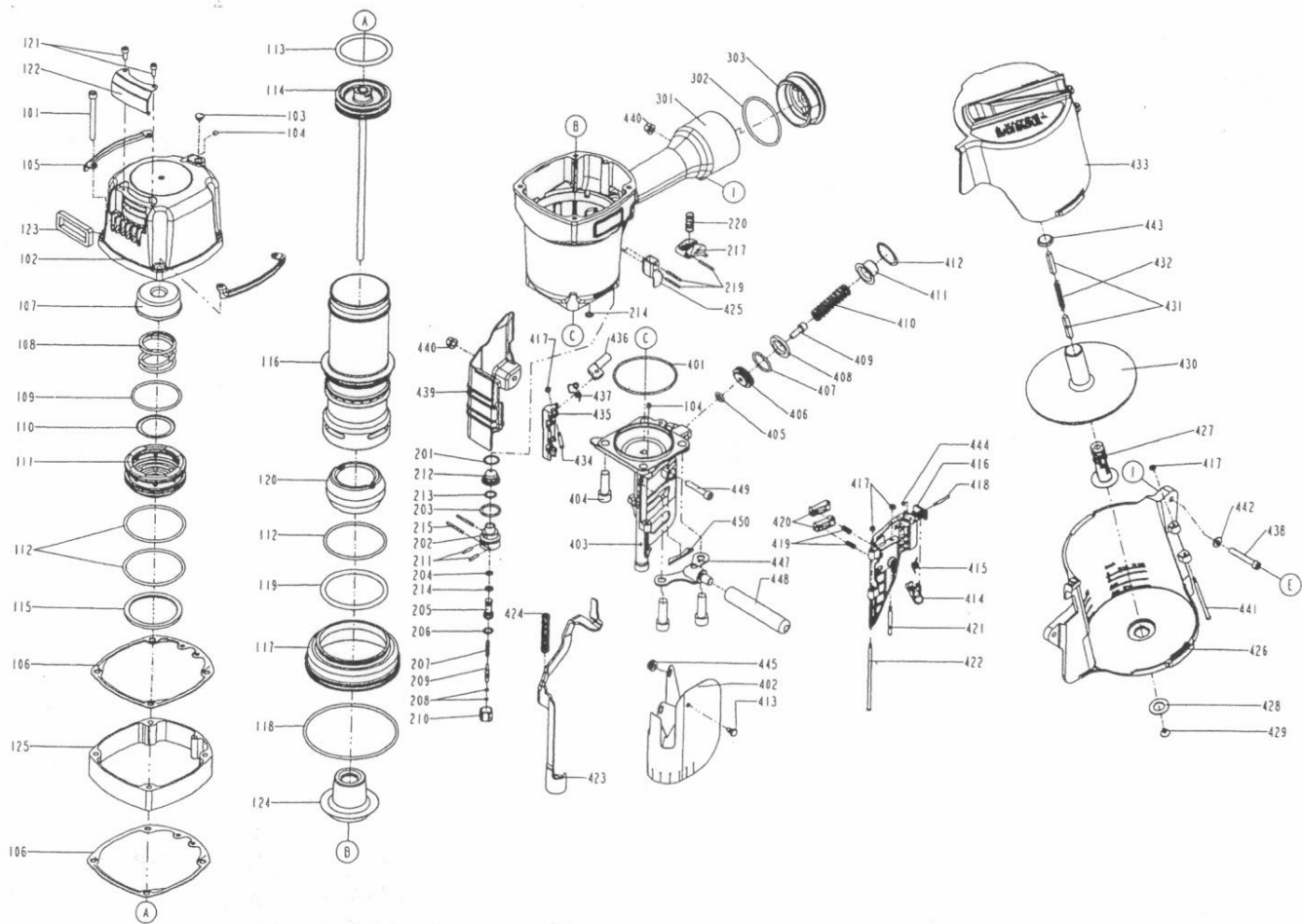


# DIAGRAM OF C38/130-A1



ITEM NO.	PART NO.	DESCRIPTION	ITEM NO.	PART NO.	DESCRIPTION	ITEM NO.	PART NO.	DESCRIPTION
101	2040101-04161-0	HEX.SOC.HD.BOLT	209	11375-0860002-1	PLUNGER	421	11359-1114701-1	PIN-NAIL STOP
102	11369-1034301-1	CAP	210	11373-0860001-1	TRIGGER VALVE HEAD	422	11362-1034701-1	DOOR SHAFT PIN
103	1135S-0350001-1	GROMMET	211	11329-0860001-1	PIN	423	11330-1114701-1	SAFETY
104	2040104-03010-0	HEX.SOC.HD.SCREW	212	1137A-0860001-1	COVER-PLUNGER	424	11337-1030001-1	SAFETY SPRING
105	11397-1034701-1	GUIDE COVER	213	2041104-02070-0	O - RING	425	11338-0864701-2	SAFETY GUIDE
106	11302-1034701-1	CYLINDER CAP SEAL	214	2041100-01050-0	O - RING	426	11354-1114701-1	MAGAZINE CASE
107	11370-1030001-1	SEAL	215	2040401-05150-0	SPIRAL PINS	427	11357-1034701-1	MAGAEING POST
108	11360-1030001-2	COMPRESSION SPRING	217	11224-1111101-1	TRIGGER UNIT	428	1138Y-0954701-2	RUBBER RING
109	2041108-06050-0	O - RING	219	2040401-05120-0	SPIRAL PINS	429	1134M-0864701-1	SPRING BASE
110	11381-1030001-1	WASHER	220	11376-0370001-1	SPRING	430	11356-1114701-1	SPACER
111	11368-1030001-1	HD.VALVE PISTON	301	11230-1034201-1	GUN BODY UNIT	431	1138W-0860001-1	SPACER
112	2041108-07050-0	O - RING	302	2041101-05020-0	O - RING	432	11328-1114701-1	PULL SPRING
113	2041100-06011-0	O - RING	303	11346-0861301-1	END CAP	433	11355-1114701-1	MAGAZINE COVER
114	11204-1110001-1	DRIVER UNIT	401	2041104-08020-0	O - RING	434	11365-0864701-1	PIN FEED PISTON
115	11399-1030001-1	COLLAR	402	11383-1110001-1	MUZZLE PROTECTOR	435	11306-1114701-1	FEED FINGER
116	11320-1110001-1	CYLINDER	403	11382-1114701-1	NOSE PIECE	436	11364-0974701-1	FEED PISTON-A
117	11321-1110001-1	CYLINDER SPACER	404	2040101-06010-2	HEX.SOC.HD.BOLT	437	11307-0970001-1	FEED FINGER SPRING
118	2041104-11010-0	O - RING	405	2041100-01091-0	O - RING	438	2040101-04131-0	HEX.SOC.HD.BOLT
119	2041108-07060-0	O - RING	406	11364-0974702-1	FEED PISTON-B	439	1134R-1114701-1	SPRING COVER
120	11327-1034702-1	BUMPER-A	407	2041104-03040-0	O - RING	440	2040501-04010-0	BOLT CAP
121	2040101-03050-9	HEX.SOC.HD.BOLT	408	1134W-0970001-1	FEED BUMPER	441	1136R-1034701-1	MAGAZINE SHAFT PIN
122	11371-1034701-1	DEFLECTOR	409	2040100-04080-2	BOLT ASSY	442	2040202-04010-0	FLAT WASHER
123	1132T-1110001-1	MUFFLER	410	11367-1030001-1	PUSHER SPRING	443	1134N-1014701-1	SPRING BASE A
124	11327-1034703-1	BUMPER-B	411	11366-0974701-1	FEED PISTON CAP	444	1131D-0460001-1	URETHANE RETAINER
125	1130E-1114301-1	CAP	412	2040300-08010-0	C - RING	445	1135U-1010001-1	PROTECTOR WASHER
201	2041104-02060-0	O - RING	413	1134B-0864701-1	DUST SHIELD PLUG	447	1120K-1114701-1	SECOND HANDLE BASE UNIT
202	11374-0860001-1	PLUNGER CAP	414	11310-0254702-1	DOOR LATCH	448	1137K-1030001-1	HANDLE
203	2041100-02050-0	O - RING	415	11311-1030001-1	LATCH SPRING	449	2040101-04121-0	HEX.SOC.HD.BOLT
204	2041100-01070-0	O - RING	416	11361-1114701-1	DOOR	450	1135G-1114701-1	RUBBER PAD
205	1133S-0860001-1	VALVE PLUNGER	417	1135H-0860001-1	PU RETAINER			
206	2041100-01030-0	O - RING	418	1131K-1034701-1	PIN			
207	11376-0860001-1	SPRING	419	1133C-0860001-1	STOPPER FINGER SPRING			
208	2041108-01020-0	O - RING	420	11358-1114701-1	NAIL STOP			