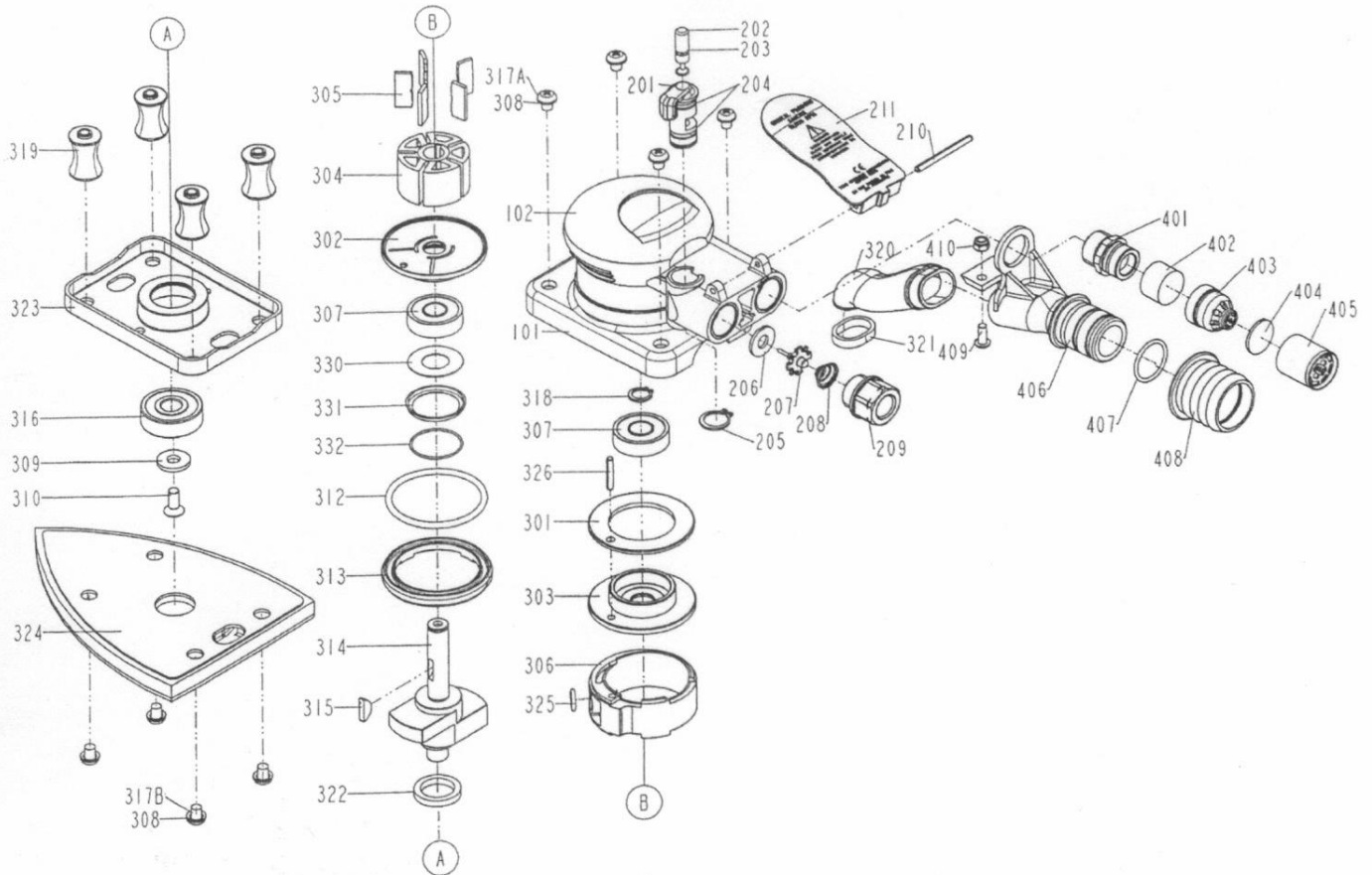


# DIAGRAM OF OS333C-A1



ITEM NO.	PART NO.	DESCRIPTION	ITEM NO.	PART NO.	DESCRIPTION	ITEM NO.	PART NO.	DESCRIPTION
101	12302-0183001-1	HOUSING	321	1233M-0180001-1	VACUUM BRIDGE COLLAR			
102	12301-0184701-1	RUBBER OVERMOLD	322	1233M-0180002-1	BEARING COLLAR			
201	12304-0011101-2	REGULATOR	323	1233L-0180001-2	BASE			
202	12305-0010002-1	VALVE STEM	324	12247-0180020-1	SANDING PAD			
203	2041100-01040-0	O - RING	325	2041109-01130-0	O - RING			
204	2041109-01050-0	O - RING	326	2040400-05090-0	SPRING PIN			
205	2040301-15010-0	S - RING	330	1233M-0010001-1	BEARING SEAL			
206	12306-0014701-1	SEAL	331	12332-0010001-1	DUST COVER			
207	12307-0014701-3	TIP VALVE	332	2041110-03010-0	O - RING			
208	12308-0214701-1	SPRING	401	12327-0010004-1	MUFFLER SCREW			
209	12309-0014703-1	AIR INLET	402	12351-0112501-1	MUFFLER			
210	2040400-05180-0	SPRING PIN	403	1232X-0014701-1	NOZZLE			
211	12310-0114708-2	TRIGGER	404	12351-0010001-1	MUFFLER			
301	12311-0014702-1	FRONT RING	405	12328-0014703-1	MUFFLER CAP			
302	12316-0010003-3	REAR BEARING PLATE	406	12390-0014702-1	VACUUM ADAPTER-CENTRAL VAC			
303	12312-0010002-1	FRONT END PLATE	407	2041104-02080-0	O - RING			
304	12313-0110001-1	ROTOR	408	12395-0014701-1	REVOLVING CONNETOR			
305	12314-0110001-1	BLADES	409	2040102-02040-0	HALF ROUND HD.HEX.BOLT			
306	12251-0010003-1	CYLINDER UNIT	410	2040504-02010-0	U-NUT			
307	2041200-00041-0	BEARING						
308	2040204-03010-3	GEAR WASHER						
309	2040202-04010-0	FLAT WASHER						
310	2040103-03030-0	COUNTER SUNK SCREW						
312	2041100-05080-0	O - RING						
313	12321-0010003-1	LOCK RING						
314	12322-0184701-1	MOTER SHAFT BALANCER						
315	2040701-01010-0	ROTOR KEY						
316	2041200-00260-0	BEARING						
317A	2040105-03030-2	ROUND CROSS SCREW						
317B	2040105-03030-0	ROUND CROSS SCREW						
318	2040301-16010-0	S - RING						
319	1233N-0180001-1	STABILIZER POSTS						
320	12334-0180001-1	VACUUM BRIDGE						